

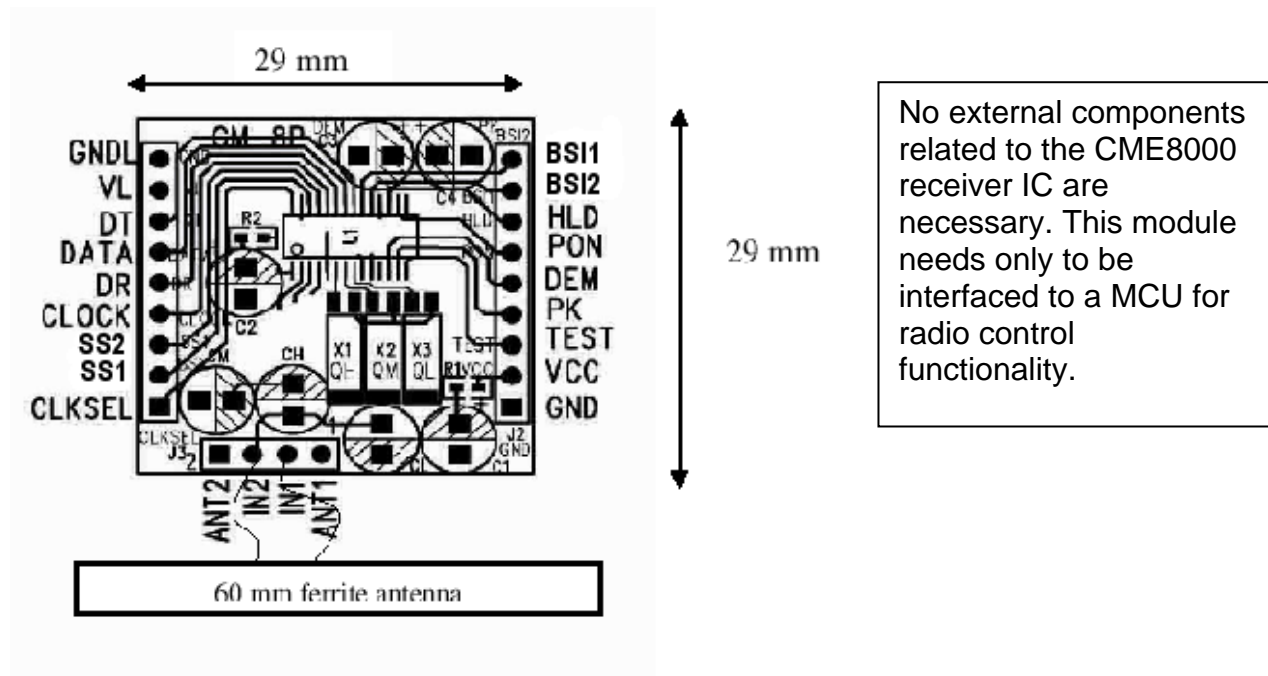
CME8000

RC-Module

evaluation that this module is applied on, the part number for ordering differs. (For detail see part-numbering and ordering section).

This module has pin outs for all available pins on the receiver IC CME8000. Via easy interface with a separate MCU, the module can readily receive, recognize and decode to digital form the selected long wave signal received via the antenna. Output of the decoded stream of digital data is available on the DATA pin of the module and can be fed into the MCU for translation into time information necessary for the intended application.

3. Dimensions & Outline of Module



4. Pinning

Symbol	Function	Remark
ANT2	Antenna switch 2	Antenna connection for 60kHz. Capacitor space CM for capacitor to match connection between ANT2 and IN1 for 60kHz.
IN2	Input antenna	Antenna connection for 40kHz and 77.5kHz. Capacitor space CH for capacitor to match connection between IN1 and IN2 for 77.5kHz
IN1	Input antenna	Antenna connection for 60kHz and 77.5kHz
ANT1	Antenna switch 1	Antenna connection for 40kHz. Capacitor space CL for capacitor to match connection between ANT1 and IN2 for 40kHz.
VCC	Analog part supply voltage	Separate power supply to analog part

QHOUT	Crystal 3 output	Connection for 77.5kHz crystal
QMOUT	Crystal 2 output	Connection for 60kHz crystal
QLOUT	Crystal 1 output	Connection for 40kHz crystal
GND	Analog Ground	separate GND to analog part
QIN	Crystal common input	Common crystal input connection for all crystals
DEM	Capacity for demodulation peak-detector	Capacitor C3 fixed as 100nF for all frequencies at DEM pin
PK	Capacity for AGC regulation	Capacitor C4 fixed as 3.3 μ F for all frequencies at PK pin
TEST	Test I/O	Test mode set by setting SS1 and SS2
PON	Power on	Connect to GND for receiver to be activated
HLD	AGC Hold	Active Low hold pin to hold AGC function
GNDL	Digital Ground	Separate GND for digital part
BSI1	Bit Strength Indicator 1 (LSB)	Binary output to show LSB of BSI level
BSI2	Bit Strength Indicator 2 (MSB)	Binary output to show MSB of BSI level
DT	Data Send Clock	Refer to timing diagram in CME8000 datasheet
DATA	Data Output	Refer to timing diagram in CME8000 datasheet
DR	Data Ready in register	Refer to timing diagram in CME8000 datasheet
CLOCK	Clock input 1024 / 4096 Hz	Clock input necessary to drive CME8000, selectable via CLKSEL
SS1	Transmitter Select 1	Different protocols and test modes selectable by this tri-state pin (refer to logical function table for SS1 and SS2 in CME8000 datasheet)
SS2	Transmitter Select 2	Different protocols and test modes selectable by this tri-state pin (refer to logical function table for SS1 and SS2 in CME8000 datasheet)
VL	Digital supply voltage	Separate power supply to digital part
CLKSEL	Clock select	Open/GND connection = 1024 Hz, VCC = 4096 Hz

5. Electrical Characteristics

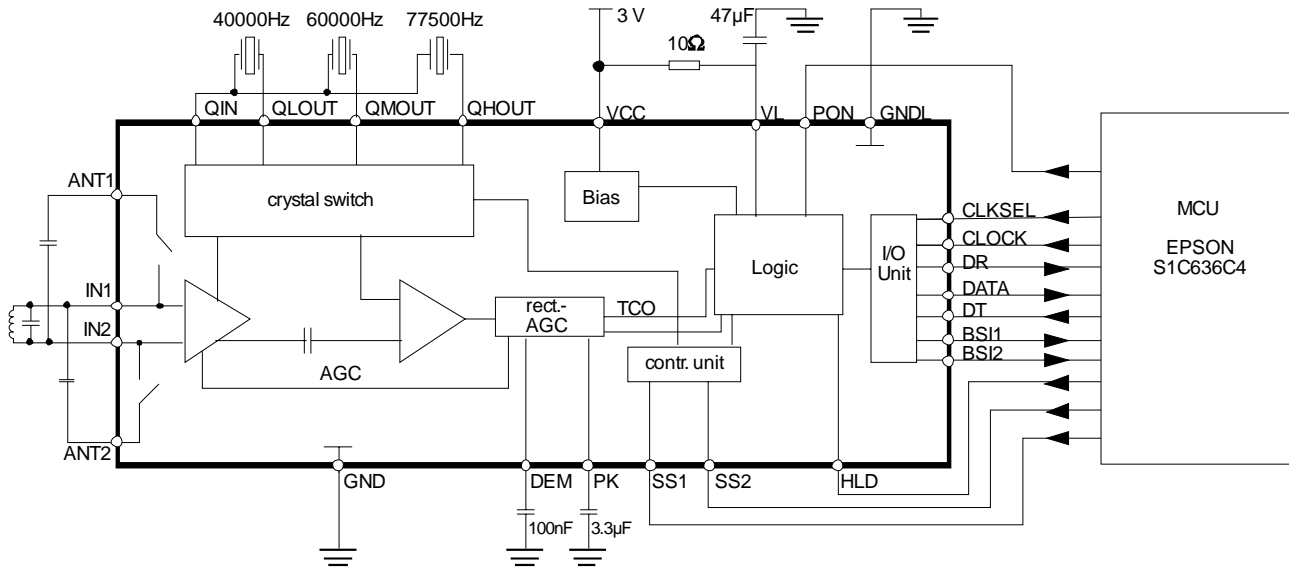
Parameter	Min	Typical	Max	Unit
Reception frequency range	20		120	kHz
Supply Voltage	1.2		5.0	V
Power consumption				
a) Power on		< 100		μ A
b) Receiver off		0.5		μ A
Input Sensitivity				
a) Signal generator direct input		0.5	0.8	μ V
b) via antenna (interference free)		20**	15**	μ V/m

** ferrite antenna: Length = 60mm / diameter = 10mm, with optimised L, C and Q

CME8000

RC-Module

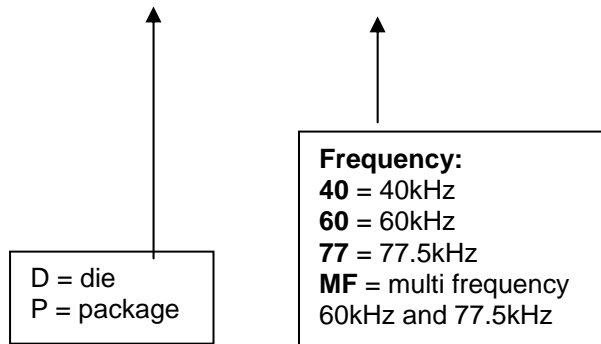
Application Circuitry for multi frequency antenna use (3 frequencies: 40kHz, 60kHz, 77.5kHz)



6. Part numbering & Ordering information

Part numbering

CMMR – 8D - MF



Ordering information

Please order according to the part numbering shown above. Orders for the above modules can be placed to any one of our C-MAX offices or representatives. For information of your nearest local C-MAX office or representative, please check in the web site:
www.c-max.com.hk

CME8000

RC-Module

C-MAX

Disclaimer of Warranty

Information furnished is believed to be accurate and reliable. However C-MAX assumes no responsibility, neither for the consequences of use of such information nor for any infringement of patents or other rights of third parties, which may result from its use. Specifications mentioned in this publication are subject to change without notice. This publication supersedes and replaces all information previously supplied. C-MAX products are not authorized for use as critical components in life support devices without express written approval of C-MAX.

Note

It is not given warranty that the declared circuits, devices, facilities, components, assembly groups or treatments included herein are free from legal claims of third parties. The declared data are serving only to description of product. They are not guaranteed properties as defined by law. The examples are given without obligation and cannot give rise to any liability.

Reprinting this data sheet - or parts of it - is only allowed with a license of the publisher.

C-MAX reserves the right to make changes on this specification without notice at any time.

C-MAX Asia Ltd

Unit 125, 1/F.,
Liven House,
61-63 King Yip Street,
Kwun Tong, Kowloon, HK SAR
Tel.: +852-2798-5182
Fax: +852-2798-5379
e-mail: inquiry@c-max.com.hk

C-MAX Technology Ltd (Shenzhen)

Room 31C, Block A,
World Finance Centre,
No.4003 Shennan East Road,
Luohu , Shenzhen, PR China,
Tel: +86-755-25181858
Fax: +86-755-25181859