

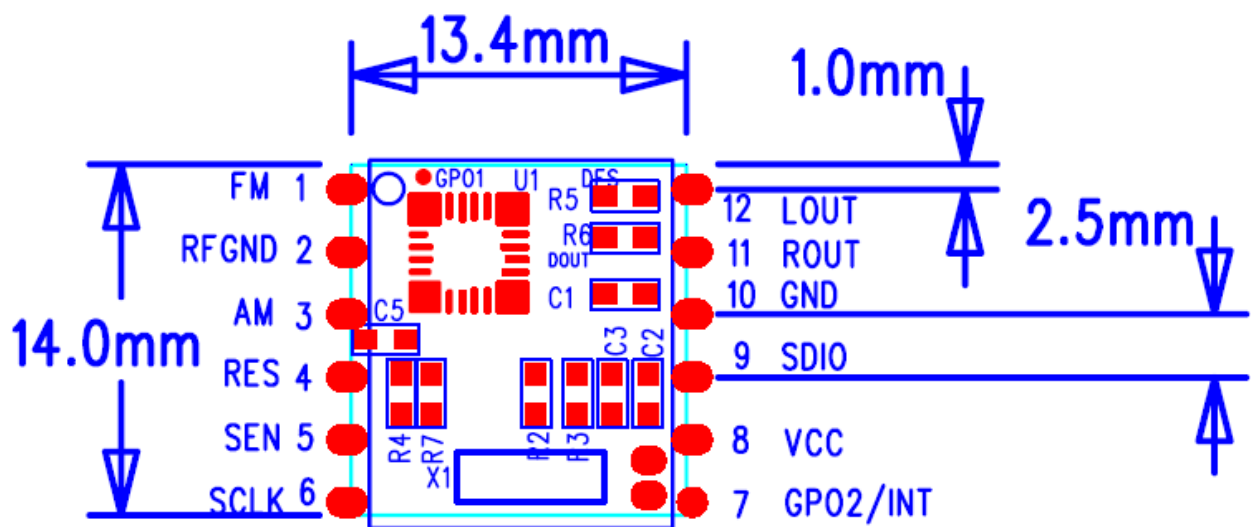
**SI Tuner Module (13mm x 14mm)
(For SI 4730 / 4731 / 4702 / 4703 / 4736 / 4737)**



Description

The tuner module CMM-47XX forms a complete receiver unit for worldwide FM band support and worldwide AM band (according to model).

1.1 FM/AM receiver module – Dimension & Layout



Si4730/31, Si4736/37, Si4702/03 Thickness: 0.8mm, FR4

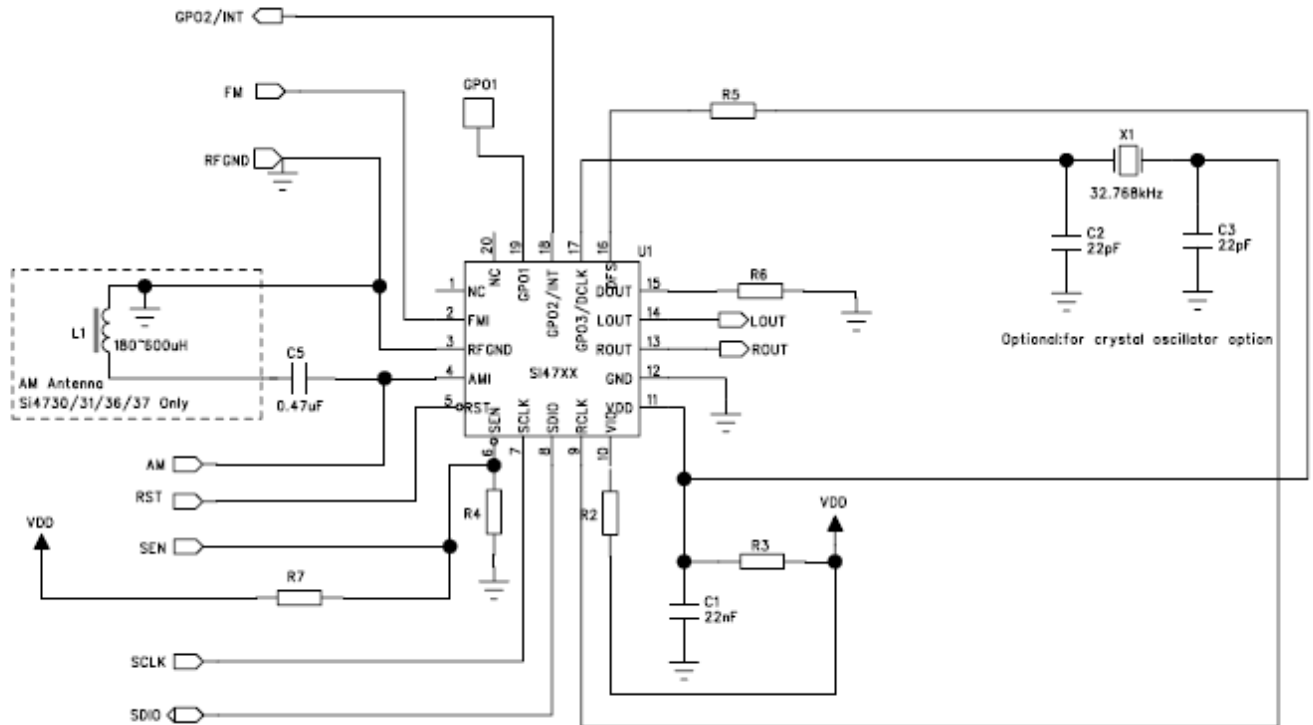
Short / Open	4730	4731	4702	4703	4736	4737
R2	Short	Short	Short	Short	Short	Short
R3	Short	Short	Short	Short	Short	Short
R4	Short	Short	Short	Short	Short	Short
R5	Open	Open	Short	Short	Open	Open
R6	Open	Open	Short	Short	Open	Open
R7	Open	Open	Open	Open	Open	Open

1.2 FM/AM receiver module - pinning

Pin #	4730	4731	4702	4703	4736	4737
1	FM	FM	FM	FM	FM	FM
2	RFGND	RFGND	RFGND	RFGND	RFGND	RFGND
3	AM	AM	NC	NC	AM	AM
4	RST	RST	RST	RST	RST	RST
5	SEN	SEN	SEN	SEN	SEN	SEN
6	SCLK	SCLK	SCLK	SCLK	SCLK	SCLK
7	GPO2/INT	GPO2/INT	GPO2/INT	GPO2/INT	GPO2/INT	GPO2/INT
8	VDD	VDD	VDD	VDD	VDD	VDD
9	SDIO	SDIO	SDIO	SDIO	SDIO	SDIO
10	GND	GND	GND	GND	GND	GND
11	ROUT	ROUT	ROUT	ROUT	ROUT	ROUT
12	LOUT	LOUT	LOUT	LOUT	LOUT	LOUT

Pin Name	Pin Description
RST	Device reset (active low) input.
SCLK	Serial enable input (active low).
SDIO	Serial data input/output.
VDD	Supply voltage (2.7V ~ 5.5V).
RFGND & GND	Ground connection. Connect to ground plane on PCB.
ROUT	Right audio line output in analog output mode.
LOUT	Left audio line output in analog output mode.
GPO2/ $\overline{\text{INT}}$	General purpose output or interrupt pin.
FM	FM RF inputs. FMI should be connected to the antenna trace.
AM	AM RF input. AMI should be connected to the AM antenna.
SEN	Serial enable input (active low).

1.3 FM/AM receiver module – circuit diagram



2. Ordering information

C-MAX Module Part Number	SI Tuner Receiver included	AM	FM	RDS	Weather Band
CMM-4702-1314	SI4702	X	√	X	X
CMM-4703-1314	SI4703	X	√	√	X
CMM-4730-1314	SI4730	√	√	X	X
CMM-4731-1314	SI4731	√	√	√	X
CMM-4736-1314	SI4736	√	√	X	√
CMM-4737-1314	SI4737	√	√	√	√

Disclaimer of Warranty

Information furnished is believed to be accurate and reliable. However C-MAX assumes no responsibility, neither for the consequences of use of such information nor for any infringement of patents or other rights of third parties, which may result from its use. Specifications mentioned in this publication are subject to change without notice. This publication supersedes and replaces all information previously supplied. C-MAX products are not authorized for use as critical components in life support devices without express written approval of C-MAX.

Note

It is not given warranty that the declared circuits, devices, facilities, components, assembly groups or treatments included herein are free from legal claims of third parties. The declared data are serving only to description of product. They are not guaranteed properties as defined by law. The examples are given without obligation and cannot give rise to any liability.

Reprinting this data sheet - or parts of it - is only allowed with a license of the publisher.

C-MAX reserves the right to make changes on this specification without notice at any time.

C-MAX Asia Ltd

Unit 125, 1/F.,
Liven House,
61-63 King Yip Street,
Kwun Tong, Kowloon, HK SAR
Tel.: +852-2798-5182
Fax: +852-2798-5379
e-mail: inquiry@c-max.com.hk

C-MAX Technology Ltd (Shenzhen)

Unit 802 & 803, 8/F.,
Shenzhen Kerry Centre
2008 Reminin Nan Road
Luohu, Shenzhen, PR China,
Tel: +86-755-25181858
Fax: +86-755-25181859